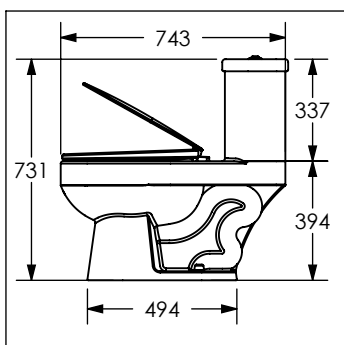


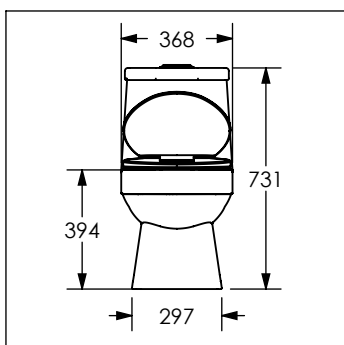
50399021

One piece blanco KORI DUAL GSK®

DESCRIPCIÓN	CANTIDAD	REMARKS
WATER TANK	1	WATER TANK WITH FLUSH VALVE
TOILET	1	TOILET WITH SEAT AND COVER
FLUSH VALVE	1	FLUSH VALVE WITH SEAT AND COVER
SEAT AND COVER	1	SEAT AND COVER WITH HINGES
FLUSH VALVE	1	FLUSH VALVE WITH SEAT AND COVER
SEAT AND COVER	1	SEAT AND COVER WITH HINGES
FLUSH VALVE	1	FLUSH VALVE WITH SEAT AND COVER
SEAT AND COVER	1	SEAT AND COVER WITH HINGES



Cotas en milímetros



Cotas en milímetros

